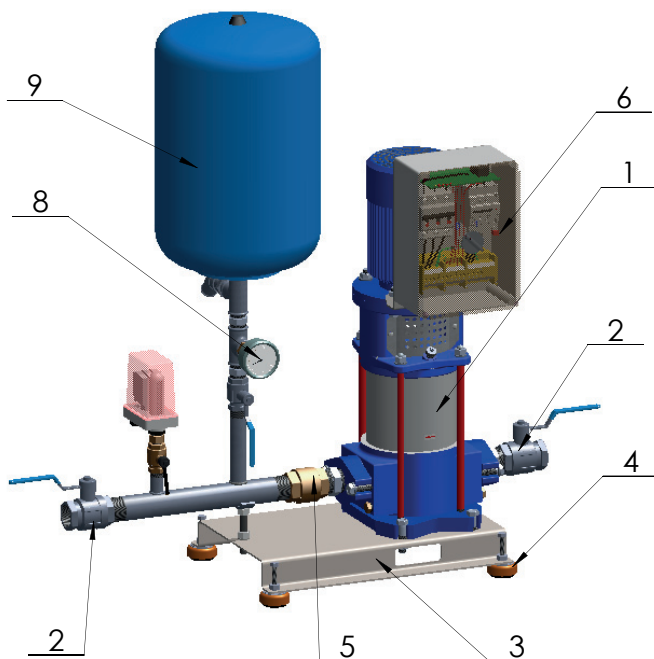
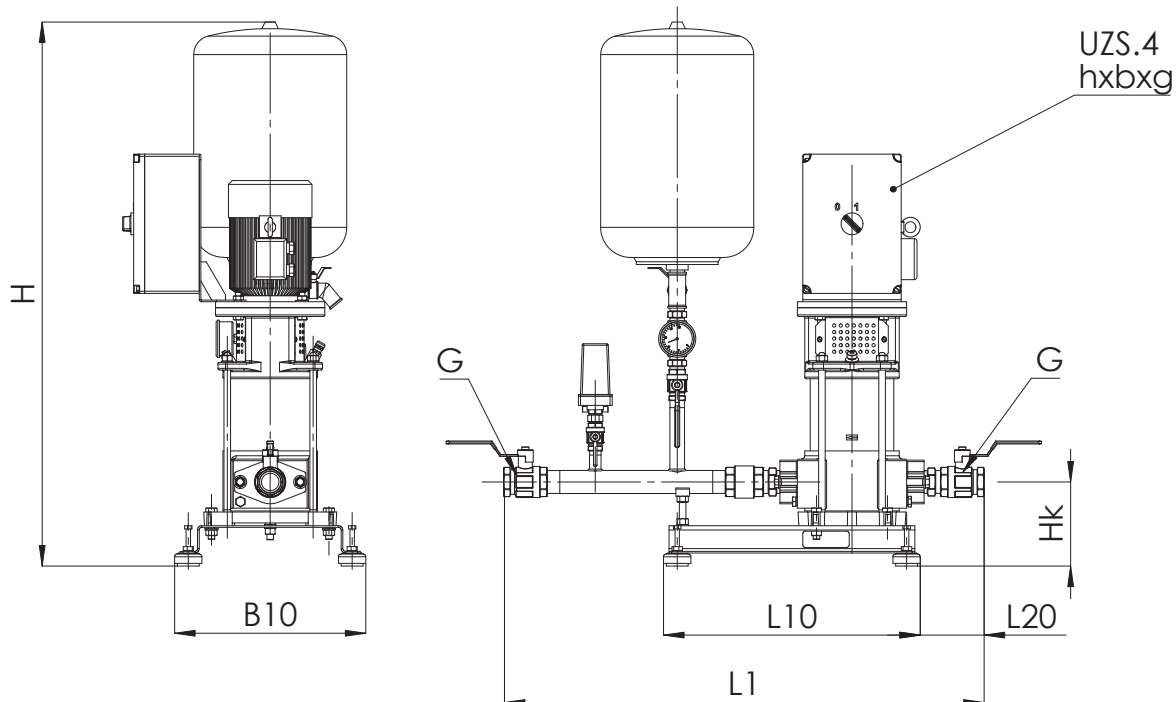


ZESTAWY HYDROFOROWE ZHI, ZHJ

Gabaryty zestawów ZHI i ZHJ h=6 e₄= 2,3



1. Agregat OPA/OPB
2. Zawór odcinający
3. Rama
4. Wibroizolator
5. Zawór zwrotny
6. Szafa sterownicza
7. Łącznik ciśnieniowy LCA
8. Manometr
9. Zbiornik ciśnieniowy

| Szafa sterownicza | h | b | g |
|-------------------|-----|-----|-----|
| do 7,5 kW | 500 | 400 | 200 |
| od 9,2 kW | 600 | 600 | 250 |

| Nazwa | Moc [kW] | L1 | L10 | L20 | B10 | Hk | H | G |
|----------|----------|-----|-----|-----|-----|-----|------|--------|
| ZHJ.0.02 | 0,37 | 875 | 470 | 117 | 350 | 154 | 1000 | 1 1/4" |
| ZHJ.0.03 | 0,55 | 875 | 470 | 117 | 350 | 154 | 1000 | 1 1/4" |
| ZHJ.0.04 | 0,75 | 875 | 470 | 117 | 350 | 154 | 1000 | 1 1/4" |
| ZHJ.0.05 | 0,75 | 875 | 470 | 117 | 350 | 154 | 1000 | 1 1/4" |
| ZHJ.0.06 | 1,10 | 875 | 470 | 117 | 350 | 154 | 1000 | 1 1/4" |
| ZHJ.1.02 | 0,55 | 875 | 470 | 117 | 350 | 154 | 1000 | 1 1/4" |
| ZHJ.1.03 | 0,75 | 875 | 470 | 117 | 350 | 154 | 1000 | 1 1/4" |
| ZHJ.1.04 | 1,10 | 875 | 470 | 117 | 350 | 154 | 1000 | 1 1/4" |
| ZHJ.1.05 | 1,10 | 875 | 470 | 117 | 350 | 154 | 1000 | 1 1/4" |
| ZHJ.1.06 | 1,50 | 875 | 470 | 117 | 350 | 154 | 1000 | 1 1/4" |
| ZHJ.2.02 | 0,75 | 905 | 470 | 153 | 350 | 154 | 1000 | 1 1/2" |
| ZHJ.2.03 | 1,10 | 905 | 470 | 153 | 350 | 154 | 1000 | 1 1/2" |
| ZHJ.2.04 | 1,50 | 905 | 470 | 153 | 350 | 154 | 1000 | 1 1/2" |
| ZHJ.2.05 | 2,20 | 905 | 470 | 153 | 350 | 154 | 1000 | 1 1/2" |
| ZHJ.2.06 | 2,20 | 905 | 470 | 153 | 350 | 154 | 1000 | 1 1/2" |
| ZHJ.3.02 | 1,10 | 955 | 470 | 177 | 350 | 154 | 1000 | 2" |
| ZHJ.3.03 | 1,50 | 955 | 470 | 177 | 350 | 154 | 1000 | 2" |
| ZHJ.3.04 | 2,20 | 955 | 470 | 177 | 350 | 154 | 1000 | 2" |
| ZHJ.3.05 | 3,00 | 955 | 470 | 177 | 350 | 154 | 1000 | 2" |
| ZHJ.3.06 | 4,00 | 955 | 470 | 177 | 350 | 154 | 1000 | 2" |
| ZHI.2.02 | 1,10 | 905 | 470 | 153 | 350 | 154 | 1000 | 1 1/2" |
| ZHI.2.03 | 1,50 | 905 | 470 | 153 | 350 | 154 | 1000 | 1 1/2" |
| ZHI.2.04 | 1,50 | 905 | 470 | 153 | 350 | 154 | 1000 | 1 1/2" |
| ZHI.2.05 | 2,20 | 905 | 470 | 153 | 350 | 154 | 1000 | 1 1/2" |
| ZHI.2.06 | 3,00 | 905 | 470 | 153 | 350 | 154 | 1000 | 1 1/2" |
| ZHI.3.02 | 1,10 | 955 | 470 | 177 | 350 | 154 | 1000 | 2" |
| ZHI.3.03 | 1,50 | 955 | 470 | 177 | 350 | 154 | 1000 | 2" |
| ZHI.3.04 | 2,20 | 955 | 470 | 177 | 350 | 154 | 1000 | 2" |
| ZHI.3.05 | 3,00 | 955 | 470 | 177 | 350 | 154 | 1000 | 2" |
| ZHI.3.06 | 4,00 | 955 | 470 | 177 | 350 | 154 | 1000 | 2" |